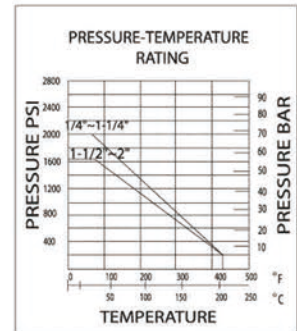




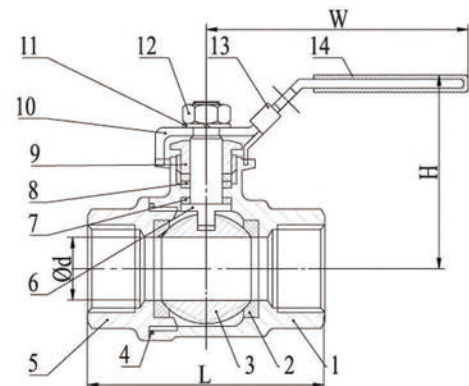
SP2PBSP2000

- SS316
- Investment Castings For Body And Cap
- Internal Entry Blow-Out Proof Stem
- Pressure Rating: 2000PSI (PN125)
- Threaded Ends: ANSI B2.1,BS 21,DIN 259/2999
- Material: CF8M,CF8,CF3M,WCB
- Pressure Test : API 598



MATERIAL LIST

ITEM	PART	MATERIAL	QTY
1	BODY	CF8M	1
2	BALL SEAT	PTFE	2
3	BALL	CF8M	1
4	BODY SEAL	PTFE	1
5	CAP	CF8M	1
6	STEM	SS316	1
7	THRUST WASHER	PTFE	1
8	PACKING	PTFE	1
9	GLAND NUT	SS304	1
10	HANDLE	SS304	1
11	WASHER	SS304	1
12	NUT	SS304	1
13	LOCK DEVICE	SS304	1
14	HANDLE COVER	PLASTIC	1



DIMENSION TABLE

SIZE	d	L	H	W	N.M	KGS
1/4"	12.5	56.5	48	105	4	0.28
3/8"	12.5	56.5	48	105	4	0.28
1/2"	15	65.5	53	110	5	0.43
3/4"	20	77.5	62	135	8	0.59
1"	25	89.0	75	150	10	1.06
1-1/4"	32	104.0	72.5	150	14	1.50
1-1/2"	38	122.0	91	177	18	2.39
2"	50	124.5	102	183	25	3.40